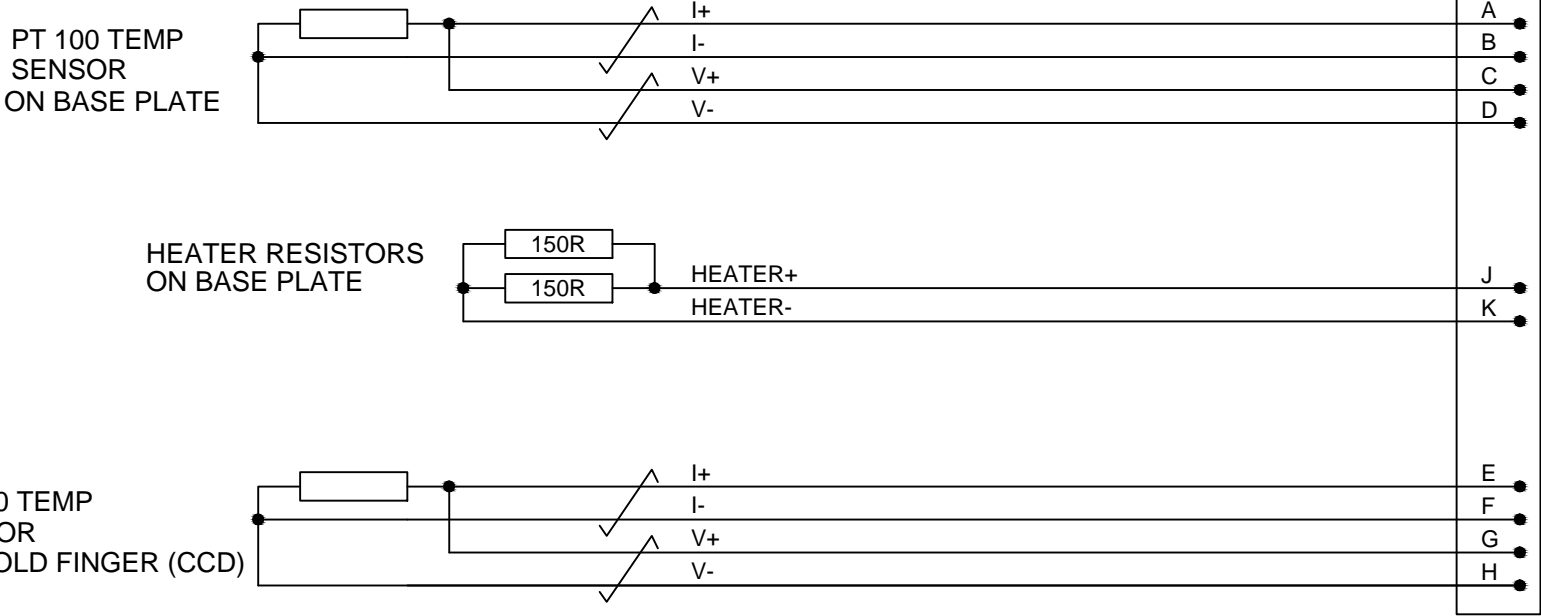


Used in assy drawing no.
 Assy name

62GB12H 14-19P



CRYOSTAT WALL

THIRD ANGLE PROJECTION DIMENSIONS IN MM			UKATC Royal Observatory Blackford Hill Edinburgh EH9 3HJ
Last Mod.			
Drawing No. USPEC_04			
Material			Weight Kg
Finish	App'd DATE - WHO		Issue
Tolerances	Mod'd DATE - WHO		A
	Drawn 06-11-13 BW		
Title	Sheet 1 of 1		
TEMPERATURE WIRING CRYOSTAT	Instrument	Part no.	
	ULTRA SPEC		